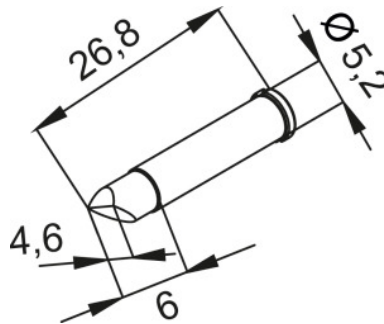


 kurtz ersa**Soldering tip, Manufacturer's designation: CDLF46A****Order data**

Order number	082401 CDLF46A
GTIN	4003008098570
Item class	04K

Description

Soldering tip CDLF46A Soldering tip width: 1.8 mm
suitable for: 082301

Technical description

suitable for	082301
Manufacturer's designation	CDLF46A
Soldering tip width	1.8 mm