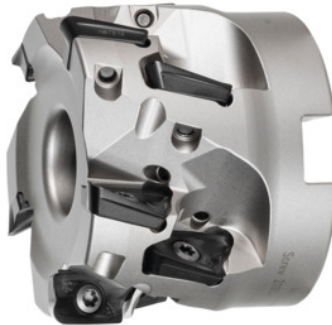


**Garant**
**Softcut® 90° indexable milling cutter MTC, with bore, Ø D / Zeff: 63/5 mm**

**Order data**

Order number	215161 63/5
GTIN	4045197455239
Item class	210

**Description**
**Version:**

High precision square shoulder milling cutter with irregular pitch for very smooth cutting, very high precision and cutting power. High performance indexable square shoulder milling cutter **with special geometry for reduced cutting forces for MTC applications** under **unstable conditions** or **for spindles with low drive power**.

**Application:**

For corner milling to large depths, also slotting. General use in all steels including stainless steels. Especially for **MTC (Multi Task Cutting)** use on the new generation of turning / milling centres (**MTM**).

**Note:**

Use GARANT torque screwdriver TQ No. **211750 size 3.8** with bit No. **674252 size 15IP**.

The insert pocket must be modified when using indexable inserts with a radius greater than 3.1 mm.

Number of effective inserts  $Z_{\text{eff}}$ : 5

Number of indexable inserts: 10

maximum cutting depth  $a_{p\text{max}}$ : 28 mm

Overall length  $L_{\text{tot}}$ : 50 mm

Mounting bore Ø: 27 mm

Pack of insert screws: 219808 (15IP; 3.8 Nm)

## Technical description

Pack of insert screws	219808 (15IP; 3.8 Nm)
Number of effective inserts $Z_{\text{eff}}$	5
suitable indexable insert	AP.. 1805..
Overall length $L_{\text{tot}}$	50 mm
Mounting bore $\varnothing$	27 mm
maximum cutting depth $a_{\text{p,max}}$	28 mm
Cutting edge $\varnothing D_c$	63 mm
Number of indexable inserts	10
Shank type	with bore
Setting angle $\kappa$	90 degrees
Milling application	Corner milling
Milling application	Ramping
Milling application	Circular milling
Spacing of the cutters	unequal spacing
Through-coolant	yes
Machining strategy	MTC
Tool exchange	PowerCard

## Accessories

Set of insert screws 10-piece	219808
Torque screwdriver, fixed setting set torque 3,8 Nm	211750 3,8
PrecisionBit for Torx Plus®, shank E 6.3 Torx Plus® profile 15IP	674252 15IP