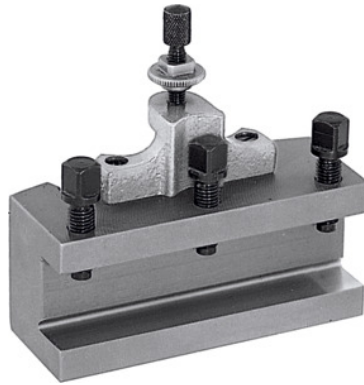




## Quick-change turning toolholder, Type: B25/140



### Order data

Order number	318100 B25/140
GTIN	4045197315786
Item class	36A

### Description

#### Version:

With flat tool base. Equipped with locking height adjustment screw and 3 tool clamping screws.

#### Note:

When ordering spare parts No. 318110 – 318130 please state the spare part number and the size of the quick-change lathe tool post A, B or C.

Suitable for No. 318000: B

Height of the toolholder: 25 mm

Length: 140 mm

Thickness of tool support W: 12 mm

### Technical description

Length	140 mm
Height of the toolholder	25 mm
Thickness of tool support W	12 mm
Suitable for No. 318000	B
Type	B25/140

Type of product

Steel toolholder