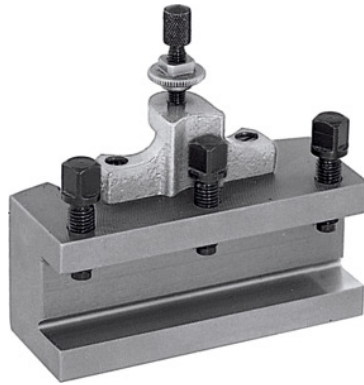




Quick-change turning toolholder, Type: C32/170



Order data

| | |
|--------------|----------------|
| Order number | 318100 C32/170 |
| GTIN | 4045197315823 |
| Item class | 36A |

Description

Version:

With flat tool base. Equipped with locking height adjustment screw and 3 tool clamping screws.

Note:

When ordering spare parts No. 318110 – 318130 please state the spare part number and the size of the quick-change lathe tool post A, B or C.

Suitable for No. 318000: C

Height of the toolholder: 32 mm

Length: 170 mm

Thickness of tool support W: 17 mm

Technical description

| | |
|-----------------------------|---------|
| Type | C32/170 |
| Height of the toolholder | 32 mm |
| Suitable for No. 318000 | C |
| Length | 170 mm |
| Thickness of tool support W | 17 mm |

Type of product

Steel toolholder