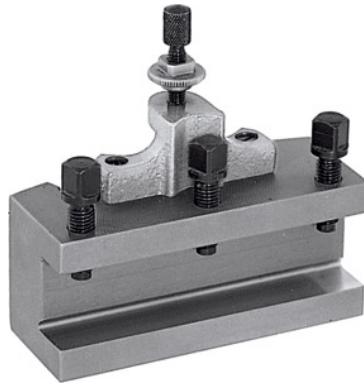




Quick-change turning toolholder, Type: C40/150



Order data

Order number	318100 C40/150
GTIN	4045197315830
Item class	36A

Description

Version:

With flat tool base. Equipped with locking height adjustment screw and 3 tool clamping screws.

Note:

When ordering spare parts No. 318110 – 318130 please state the spare part number and the size of the quick-change lathe tool post A, B or C.

Suitable for No. 318000: C

Height of the toolholder: 40 mm

Length: 150 mm

Thickness of tool support W: 17 mm

Technical description

Thickness of tool support W	17 mm
Length	150 mm
Type	C40/150
Suitable for No. 318000	C
Height of the toolholder	40 mm

Type of product

Steel toolholder