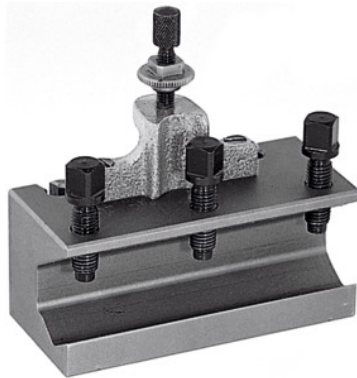




## Quick-change boring bar holder, Type: A



### Order data

Order number	318200 A
GTIN	4045197316097
Item class	36A

### Description

#### Application:

For holding boring bars and other tools with a cylindrical shank. Equipped with locking height adjustment screw and 3 tool clamping screws.

Suitable for No. 318000: A

for boring bar  $\varnothing$ : 20 mm

Length: 85 mm

### Technical description

Type	A
Suitable for No. 318000	A
for boring bar $\varnothing$	20 mm
Length	85 mm
Type of product	Steel toolholder

