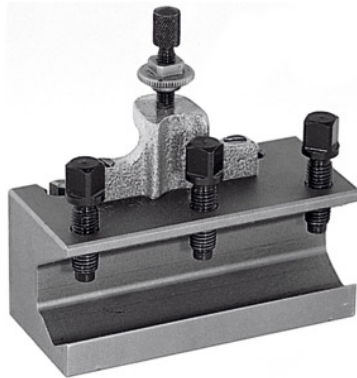




Quick-change boring bar holder, Type: AA



Order data

Order number	318200 AA
GTIN	4045197316080
Item class	36A

Description

Application:

For holding boring bars and other tools with a cylindrical shank. Equipped with locking height adjustment screw and 3 tool clamping screws.

Suitable for No. 318000: AA

for boring bar \varnothing : 12 mm

Length: 50 mm

Technical description

Type	AA
Suitable for No. 318000	AA
for boring bar \varnothing	12 mm
Length	50 mm
Type of product	Steel toolholder

