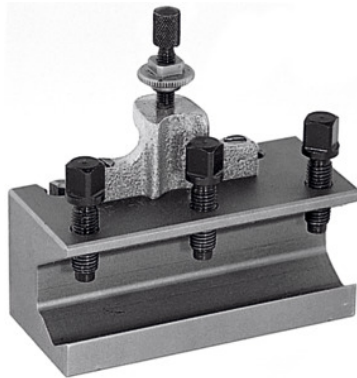




## Quick-change boring bar holder, Type: B



### Order data

Order number	318200 B
GTIN	4045197316103
Item class	36A

### Description

#### Application:

For holding boring bars and other tools with a cylindrical shank. Equipped with locking height adjustment screw and 3 tool clamping screws.

Suitable for No. 318000: B

for boring bar  $\varnothing$ : 30 mm

Length: 130 mm

### Technical description

Type	B
for boring bar $\varnothing$	30 mm
Length	130 mm
Suitable for No. 318000	B
Type of product	Steel toolholder

---

**Accessories**

Vee block base	318210
Morse taper sleeve	318220