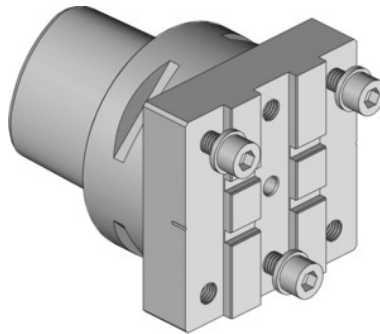


**Garant**
**Modular toolholder, Type: PSC50**

**Order data**

Order number	319135 PSC50
GTIN	4045197781024
Item class	31V

**Description**
**Advantage:**

Precisely adjustable tip height, permitting ideal machining results with consistent tool life. Turret misalignments can be compensated.

Length L: 63 mm

Width B: 63 mm

Height H: 36 mm

suitable for parting-off blade holder: Type 1

**Technical description**

Height H	36 mm
Length L	63 mm
Width B	63 mm
suitable for parting-off blade holder	Type 1
Type of product	Grooving insert holder

