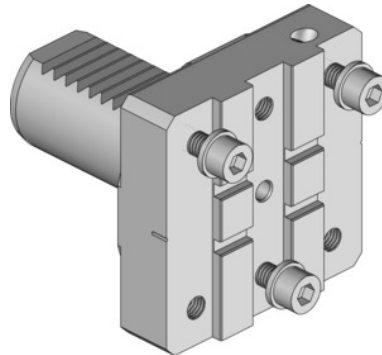


**Garant****Modular toolholder, Type: VDI30****Order data**

Order number	319135 VDI30
GTIN	4045197779595
Item class	31V

**Description****Advantage:**

Precisely adjustable tip height, permitting ideal machining results with consistent tool life. Turret misalignments can be compensated.

Length L: 66 mm

Width B: 66 mm

Height H: 16.5 mm

suitable for parting-off blade holder: Type 1

**Technical description**

Width B	66 mm
Length L	66 mm
Height H	16.5 mm
suitable for parting-off blade holder	Type 1
Type of product	Grooving insert holder

