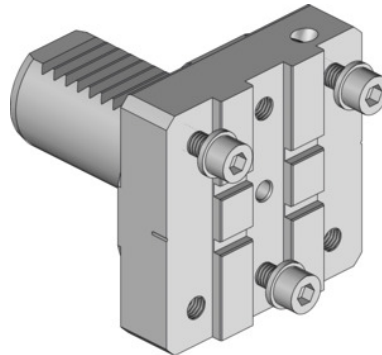


Garant**Modular toolholder, Type: VDI40****Order data**

Order number	319135 VDI40
GTIN	4045197781000
Item class	31V

Description**Advantage:**

Precisely adjustable tip height, permitting ideal machining results with consistent tool life. Turret misalignments can be compensated.

Length L: 85 mm

Width B: 85 mm

Height H: 16.5 mm

suitable for parting-off blade holder: Type 2

Technical description

Width B	85 mm
Length L	85 mm
Height H	16.5 mm
suitable for parting-off blade holder	Type 2
Type of product	Grooving insert holder

