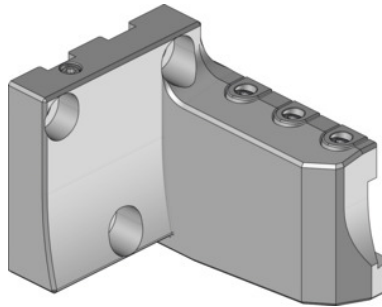


**Garant**
**eco parting-off toolholder Type 2, Version: RR**

**Order data**

Order number	319141 RR
GTIN	4045197781086
Item class	31V

**Description**
**Version:**

Slim design in 4 versions. Can be mounted turned through 180° for normal and overhead use. Optimum tool combination for grooving and parting-off operations between or close to headstock or tailstock, with minimum tool overhang.

**Application:**

For use on radial turrets and in milling spindles on milling-turning centres.

For use of eco grooving tools No. 273864 – 273866, No. 273562 and 273564.

**Note:**

Lateral coolant feed for eco grooving tools.

Versions RR and LR for using the grooving tool 273864. Versions RL and LL for grooving tool 273865. Versions RR and LL for grooving tool 273866.

Suitable stepless adjustable clamps No. 279841 2 and suitable screws No. 279815 14. See spare parts list.

Width B: 83 mm

Height H<sub>1</sub>: 14.5 mm

Height H<sub>2</sub>: 65 mm

Radius R<sub>1</sub>: 117 mm

Radius R<sub>2</sub>: 50 mm

**Technical description**

Version	RR
Width B	83 mm
Radius R <sub>1</sub>	117 mm
Height H <sub>1</sub>	14.5 mm
Radius R <sub>2</sub>	50 mm
Height H <sub>2</sub>	65 mm
Type of product	Grooving insert holder