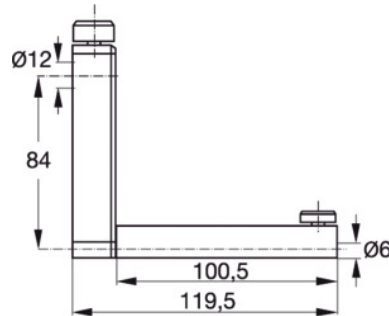




Carrier for measuring probe, Type: T6/100



Order data

Order number	445410 T6/100
GTIN	2050001668325
Item class	43B

Description

Suitable for :

Digital height gauges HC1 No. 445350, CLM816 No. 445320, CLM817 No. 445370.

Application: ball contact points with shank 6 mm /depth measurement

Arbor Ø: 6 mm

Throat: 100.5 mm

Technical description

Application	ball contact points with shank 6 mm /depth measurement
Arbor Ø	6 mm
Throat	100.5 mm
Type of product	Bracket for height gauge measuring probe